

# Model 400SC

## TELESCOPIC BOOM LIFT



### MORE ECONOMIC

- Cut fuel consumption and operating costs with variable engine control.

### MORE PRODUCTIVE

- Carry more tools and materials and stay on the job longer with dual 270 kg/470 kg (restricted/unrestricted) basket capacity. Equipped with track drive for easy manoeuvrability in soft environments.

### MORE ACCESS

- Get full access in every direction with 360-degree stepless rotation.

### SMART DESIGN

- Reduce maintenance with DuraTough turntable hood. High impact resistance and protects components.

### Standard Features

- 0.91 m x 1.83 m Platform Side Entry
- Side entry with drop bar mid rail
- Multiple function operation
- Full proportional drive joystick control with integral thumb steer switch
- Full proportional main boom and swing joystick control
- Multiple speed control for telescope and platform rotate
- Selectable creep speed on drive / lift and swing functions
- 180 degree powered platform rotator
- Platform console machine status light panel \*
- Load sensing system
- AC cable to platform
- Engine distress warning/shut down system
- Dura Tough gull-wing turntable hoods
- Swing-out engine tray
- Control ADE® - Advanced Design Electronics System
- Hydrostatic drive transmission
- Horn
- 5 degree tilt alarm and indicator light
- Lifting/tie down lugs
- Hour meter
- Ground control selector switch with key lock
- Platform tool tray
- 12V DC auxiliary power
- Interactive Display at Ground Controls
- Dual rated platform capacity up to 450 kg
- Cast Aluminum Control Box
- JLG Skyguard active system

\* Provides indicator lights at platform control console for system distress, low fuel, 5 degree tilt light, and foot switch status.

### Standard Specifications

Power Source	
• Diesel Engine	Deutz D2.3 L3 Stage IIIA 36.4 kW
• Fuel Tank Capacity	83 L
Hydraulic Reservoir	
• Hydraulic Reservoir	136 L
• Auxiliary Power	12V-DC
Tracks	
• Standard	0,4 wide x 2,77 long x 0,55 High Rubber Tracks

<sup>1</sup> Includes boom wipers, cylinder bellows and console cover.

Note: Some options may increase lead time, and some option combinations may not be available.

### Accessories & Options

- 0.91m x 2.44m slide bar side entry platform
- 0.91m x 2.44m Self closing inward swing gate
- 13 mm air line to platform
- On-board 4,000 W generator
- SkyPower® package 7,500 watt on-board generator
- SkyWelder® package 250 amp welder in the platform
- All motion alarm
- Light package
- Spacer ring, adds 16 cm height to turntable
- Platform worklights
- All motion alarm
- Head and tail lights
- Flashing amber beacon
- Euro Plug & Socket
- Hostile environment kit <sup>1</sup>
- Catalytic Exhaust Purifier
- Skyguard beacon (ILOS)
- Soft Touch 0.91 m x 2.44 m Platform Proximity System
- Arctic package
- Generator hourmeter
- Synthetic Biodegradable Hydraulic Oil
- Special paint colour
- Hydraulic oil cooler
- 0,4 wide x 2,77 long x 0,55 Non-Marking Tracks
- 0,4 wide x 2,77 long x 0,55 Steel Tracks

# Model 400SC

## TELESCOPIC BOOM LIFT

### Performance

• Working Height <sup>3</sup>	14.05 m
• Working Outreach	10.65 m
• Swing	360 Degrees Continuous
• Platform Capacity	
Restricted	450 kg
Unrestricted	270 kg
• Platform Rotator (Hydraulic)	180 Degrees Hydraulic
• Dimensions:	
A. Platform Size	0.91 m x 1.83 m
B. Overall width	2.24 m
C. Tailswing (working condition)	TBC
D. Stowed Height	2.16 m
E. Stowed Length	7.57 m
F. Ground Clearance	32 cm
• Machine Weight <sup>1/2</sup>	6,604 kg
• Max Ground Bearing Pressure <sup>2</sup>	3.62kg/cm <sup>2</sup>
• Drive Speed	2.6 km/h
• Gradeability	51%
• Turning Radius	Zero
• Type of tracks	Rubber

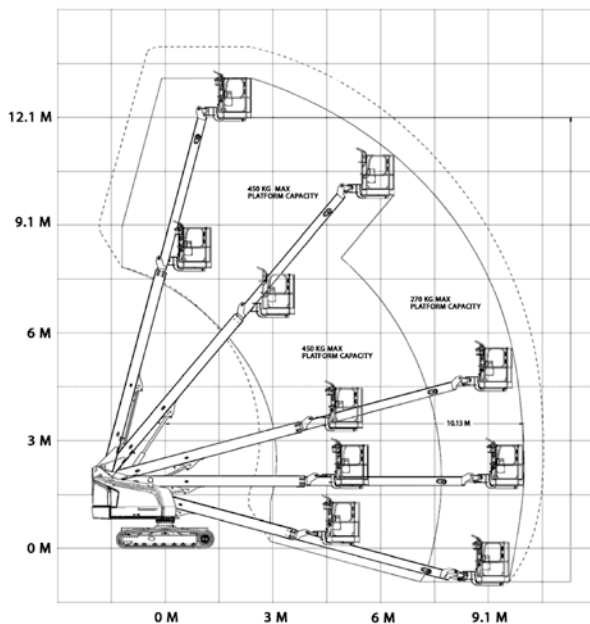
<sup>1</sup> Certain options or country standards may increase weight and/or dimensions

<sup>2</sup> With Standard tracks

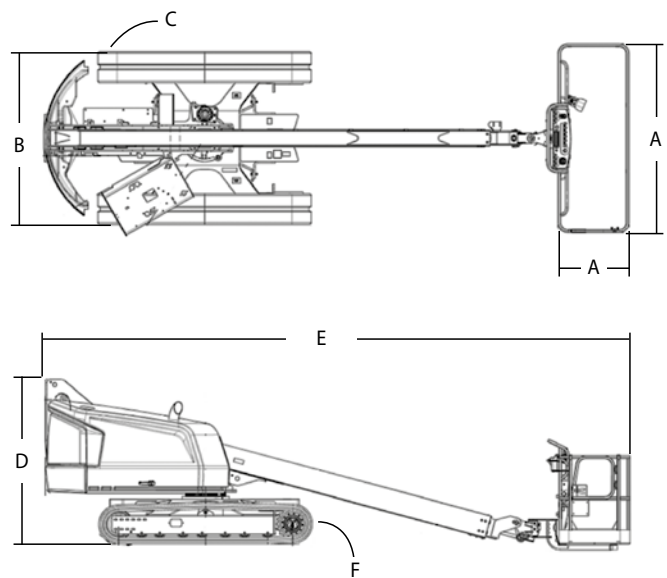
<sup>3</sup> Incl spacer ring



### Reach Diagram



### Dimensions



### IMPORTANT

JLG is continually researching and developing products and reserves the right to make modifications without prior notice. All data in this document is indicative. Certain options or country standards will increase weight. Specifications may change to meet country standards or with the addition of optional equipment.

# JLG®

## ATLAS STT GROUP

Tel: 8 800 700 85 33  
[www.atlas-stt.ru](http://www.atlas-stt.ru)  
[info@atlas-stt.ru](mailto:info@atlas-stt.ru)